

# PULPWOOD GRAPPLES

by ROTOBEC



## NEW GENERATION PULPWOOD GRAPPLE TECHNICAL SPECIFICATIONS

MODEL		115P	145P	185P	225P	265P	305P
Area (when tip to tip)	ft <sup>2</sup>	12.40	15.60	20.00	24.20	28.50	32.80
Maximum practical load	lb	8440	11250	14060	16880	19690	22500
Capacity in cords of 8' wood		0.75	1.00	1.25	1.50	1.75	2.00
A	in.	49 1/2	56	63 1/4	69 1/2	76 1/4	82
B	in.	51 3/4	57 3/4	65 1/2	72 3/4	79 1/4	84 3/4
C	in.	99 1/4	111	125	135 3/4	147 3/4	157 3/4
D	in.	104	115 3/4	129 1/2	141 3/4	154 3/4	164 1/4
E with rotator:	RT-504-HT in.	65	68	74 1/2			
	RT-1004-HT in.		71	77 1/4	80	87	89 3/4
F	in.	22 1/4	26	28	31 1/4	35	38
G	in.	30	30	31	31	32	32
Weight with rotator:	RT-504-HT lb	2845	2990	3580			
	RT-1004-HT lb		3230	3820	4005	5500	5685

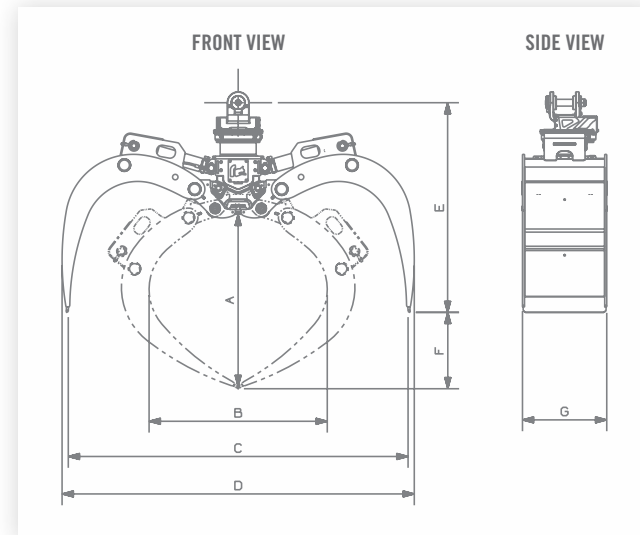
## ROTATORS

- New Generation RT models are patented and feature the **ROTOmax** ROTATORS system (US PATENT No. 7,066,076)
- Full 360° continuous rotators.
- Many models to match machine capacity and operation requirements for maximum life and productive time.

## ROTATORS – TECHNICAL SPECIFICATIONS

MODEL	SWING TORQUE (in lb)	AXIAL LIFT CAPACITY (lb)	WEIGHT (lb)
RT-504-HT	23260	50,000	445
RT-1004-HT	27910	100,000	685

Heavy-duty, indirect drive, sealed internal gearing, high side-loading capability, single motor.



# PULPWOOD GRAPPLES

by ROTOBEC



Printed in Canada • V.0909-E - D0



**ROTOBEC INC.**  
**HEAD OFFICE**  
 Tel: 418.383.3002  
 Fax: 418.383.5334  
 rotobec@rotobec.com

**ROTOBEC WEST**  
**WESTERN CANADA & WESTERN USA**  
 Tel: 250.765.1161  
 Fax: 250.765.0035  
 rotobec@rotobec.com

**ROTOBEC USA INC. EASTERN & CENTRAL**  
 SALES NORTHEAST Tel: 518.572.4646 PARTS & SERVICE  
 SALES LAKE STATES Tel: 616.250.0405 Tel: 603.444.2103  
 SALES SOUTHEAST Tel: 904.553.7850 Fax: 603.444.0327  
 SALES MIDSOUTH Tel: 423.208.6002 rotobec@rotobec.com  
 SALES MIDSOUTH Tel: 936.675.5394

# PULPWOOD GRAPPLES

by ROTOBEC

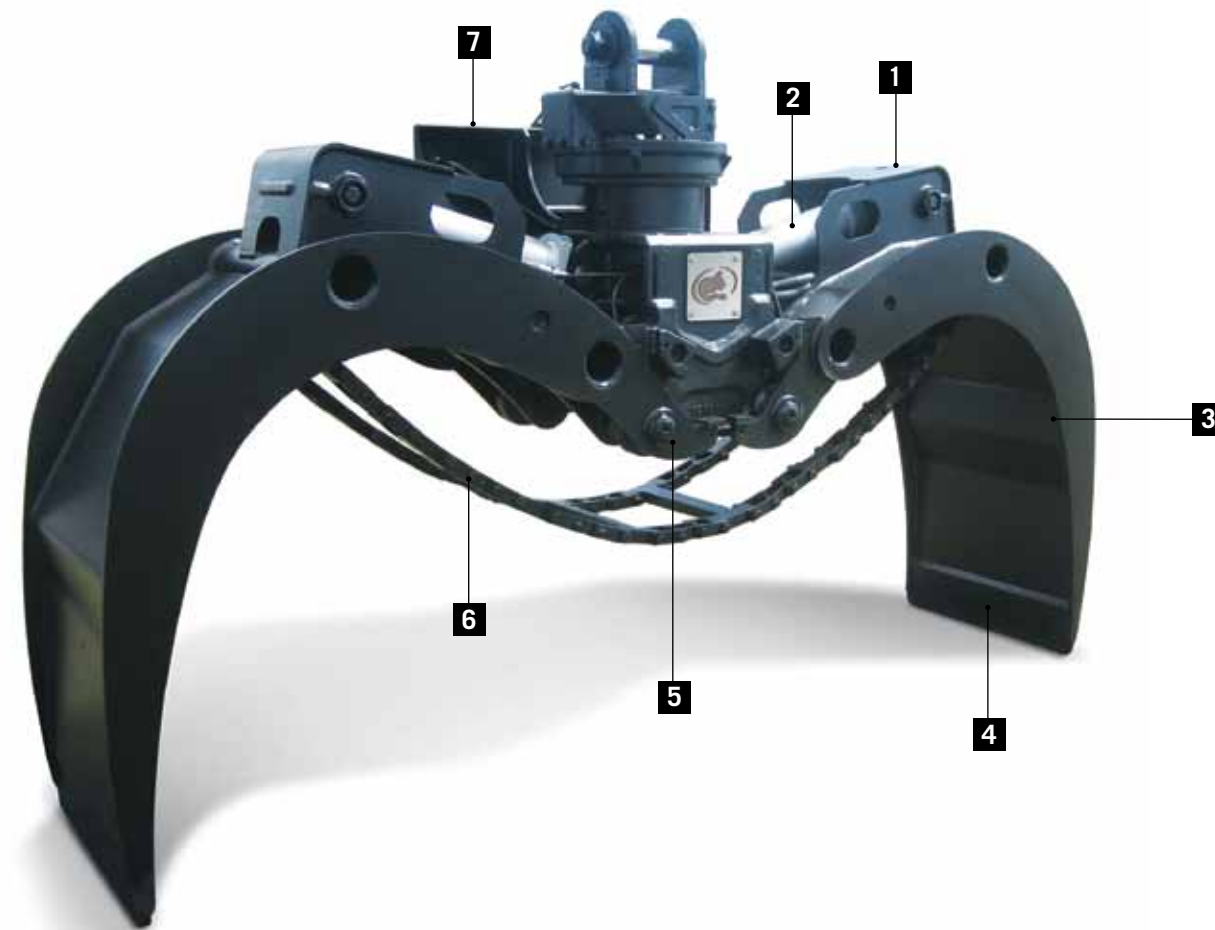
## PULPWOOD HANDLING AND PICK & CARRY APPLICATIONS

Pulpwood grapples are designed for handling short wood in piles at the road side or mill yard.

Synchronized jaws and specially designed jaw curvature allows for excellent control over the load. For partial loads a holding chain is an available option to keep the wood in place.

## UPTIME FEATURES

- A heavy-duty design with built-in protection features ensures maximum uptime.
- Rotobec's many years designing and manufacturing pulpwood grapples assures the customer of the latest in design and durability.



## FEATURES AND BENEFITS



1

### CYLINDER PROTECTORS

- Cylinders are guarded from impacts.



2

### HYDRAULIC CYLINDERS

- High pressure cylinders protected by a rod end relief valve.
- Optional lock valves for pick and carry application.



3

### IMPROVED JAW DESIGN

- Boxed construction for high strength.
- Jaw curvature has been optimized for excellent log handling characteristics.



4

### REPLACEABLE TIPS

- Weld-on replaceable tips with wear indicators ensure a simpler approach to regular maintenance.
- High quality wear resistance steel ensures a long service life for the tips.



5

### JAW STOPS

- Mechanical stops on open and close ensure that the cylinders are protected.



6

### OPTIONAL HOLDING CHAIN

- The heavier stronger holding chain ensures control over partial loads.



7

### OPTIONAL BUTT PLATE

- The optional heavy-duty butt plates or leveling plates are available for one or both sides.

## OTHER FEATURES

### HYDRAULIC JAW SYNCHRONISATION

- This system eliminates troublesome synchro-gears.
- This is a maintenance free system.

### EASY GREASING

- On 185P and larger units, all grapple grease points are grouped on the grapple head for easy safe access.

### SEALED PINS AND BUSHINGS

- Sealed bushings keep water and dirt out and grease in where it belongs.
- The feature is a big factor in Rotobec's uptime design.

### NEW JAW AND HEAD STRUCTURE PIN DESIGN

- New pin design simplifies maintenance.

