



ROTOBEC™
TOUGH HANDLING EQUIPMENT

BUTT'N TOP GRAPPLES

by ROTOBEC



- ✓ Continuous rotation powered by direct drive.
- ✓ Structure built of high-tensile steel (185000 psi/1275 mPa).
- ✓ Single cylinder model used for grapple jaw and outriggers.
- ✓ Pivot points widened to prevent pin wear.
- ✓ Bolt on cylinder heads for easy maintenance.
- ✓ Full technical support for installation.
- ✓ Hydraulic control mounted in rotator offering easy installation on most makes of excavators. (optional)

ROTOBEC INC.
Head office

Ph.: 418.383.3002
Fax: 418.383.5334
rotobec@rotobec.com

ROTOBEC WEST
Western Canada & Western USA

Ph.: 250.765.1161
Fax: 250.765.0035
rotobec@rotobec.com

ROTOBEC USA, INC.
Eastern & Central

Ph.: 603.444.2103
Fax: 603.444.0327
rotobec@rotobec.com

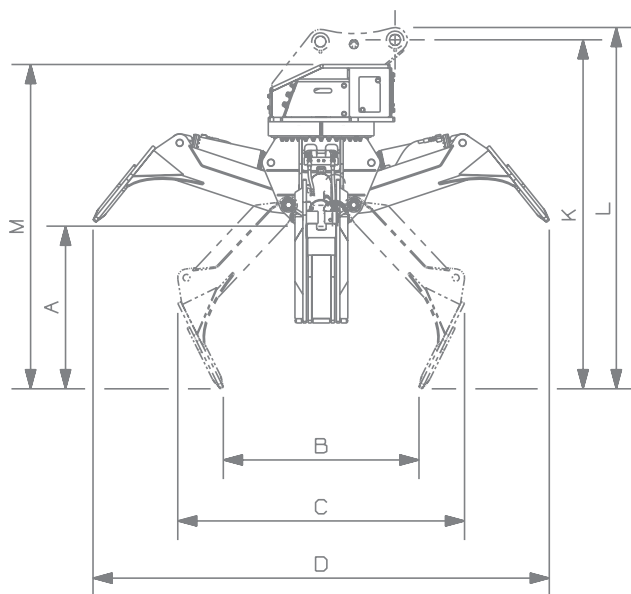
BUTT'N TOP GRAPPLES

by ROTOBEC

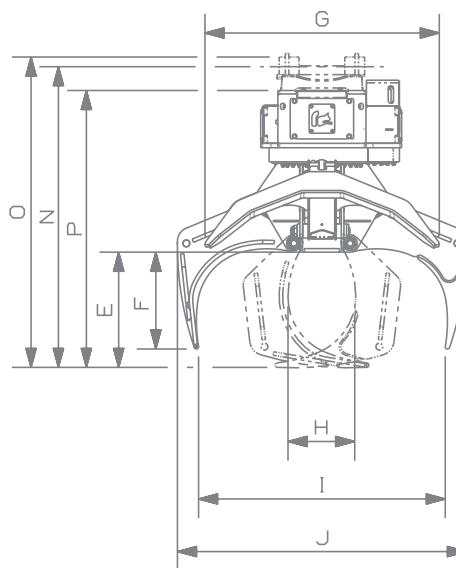
BUTT'N TOP GRAPPLES TECHNICAL SPECIFICATIONS

Dimension s A to M are in mm	For Tree length wood				For Short wood
	B0750	B1000	B1250	B1500	BC1500
MODEL					
Area in square meter (when tip to tip)	0.34	0.44	0.56	0.66	1.09
A	851	908	1175	1175	1175
B	1819	1641	1410	1410	1410
C	2156	2080	2070	2070	2070
D	2956	2946	3289	3289	3289
E	679	705	832	876	1184
F	651	692	699	826	972
G	1372	1372	1689	1689	1689
H	330	384	483	483	349
I	1346	1422	1778	1803	2575
J	1718	1768	2083	2083	2842
K, L, N, O dimensions vary according to installation					
M with rotator model	RGP-1306	1994	2048	2337	
	RGP-1706			2388	2388
Weight (kg) with rotator model	RGP-1306	1726	1751	2148	
	RGP-1706			2517	2785
Rotator maximum tilting moment	RGP-1306	250 000 Nm			
	RGP-1706	540 000 Nm			

SIDE VIEW



FRONT VIEW



V.20080107-00



ROTOBEC™

www.rotobec.com